

M2B Series

A great sounding 2-way trapezoid cabinet for a variety of situations

Designed to be a cost-effective alternative to processor-based systems, the MacPherson M2B Series offers excellent vocal intelligibility plus extended bass response not usually associated with small trapezoid systems. While comparable in size with systems utilizing a 12-inch LF driver, the M2B Series employs a high-output 15-inch speaker, greatly enhancing its bass performance. Additionally, the M2B Series features a 1-inch compression driver with excellent power handling and extremely natural high-frequency response. For durability, the enclosure is constructed of hardwood plywood with a textured black epoxy finish.

The standard M2B configuration allows rear panel selection of full-range or bi-amplified operation. In addition, full-range-only versions are available. No dedicated processor is required, yet rental companies and installers have reported that the loudspeaker actually exceeds the performance parameters of many processor-based designs. For overhead suspension applications, several versions of the M2B are available. An optional spreader plate is available to allow a horizontal array to be quickly and accurately created.



Features

- True broadband performance
- Wide horizontal coverage—ideal for small PA or horizontal array applications
- No processor required
- Selectable full range or bi-amp operation
- Small footprint
- Tight, low-frequency response
- Built-in pole cup
- Available with overhead suspension hardware

M2B Series

M2B Series Specifications

Standard Configurations

M2B: Selectable bi-amp / full range

M2BF: Selectable bi-amp / full range, attachment points on top of cabinet

M2B3F: Selectable bi-amp / full range, attachment points on top and bottom of cabinet

M2BP: Full range

M2BFP: Full range, attachment points on top of cabinet

M2B3FP: Full range, attachment points on top and bottom of cabinet

Ring/Stud Attachment Points

Type: Combination ring and stud; stud compatible with 12 jaw fitting

M2BF / M2BFP: Two, located on top of cabinet

M2B3F / M2B3FP: Three, two located on top of cabinet, one bottom

Threaded Attachment Points

M2BF / M2BFP: Four, 3/8-16 threads

M2B3F / M2B3FP: Eight, 3/8-16 threads

Pole Mounting

Cast-aluminum mounting cup, accepts 1.5-inch diameter pole

Frequency Response

±3dB, 90Hz to 14kHz

±5dB, 60Hz to 18kHz

Coverage (between -6dB points)

Horizontal: 90 degrees

Vertical: 50 degrees

Nominal Impedance (Full Range)

8 ohms

Nominal Impedance (Bi-Amp)

LF: 8 ohms

HF: 8 ohms

Sensitivity (Full Range)

96dB, one watt, one meter

Sensitivity (Bi-Amp)

LF: 97dB, one watt, one meter

HF: 103dB, one watt, one meter

Maximum SPL (Full Range)

121dB, broadband, one meter, one minute

Maximum SPL (Bi-Amp)

124dB, broadband, one meter, one minute

Recommended Amplifier Power (Full Range)

400 to 600 watts RMS into 8 ohms

Recommended Amplifier Power (Bi-Amp)

LF: 400 to 600 watts RMS into 8 ohms

HF: 80 to 160 watts RMS into 16 ohms

Recommended Crossover Point

1.2kHz, 24dB per octave

Connectors

Two, Neutrik NL4

Enclosure

Hardwood plywood, textured black epoxy finish, powder-coated perforated steel grill with open-cell foam backing, flush-mounted steel handles

Dimensions

24.7 inches high (62.7cm)

17.4 inches wide (44.3cm)

16.5 inches deep (41.9cm)

Weights

Between 62.5 pounds (28.4kg) and 66.0 pounds (30.0kg) depending on configuration

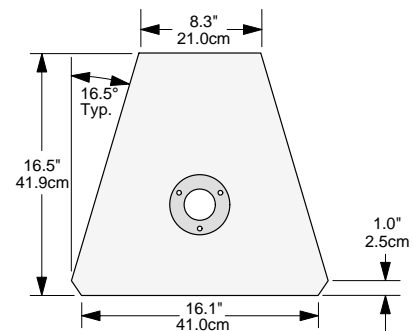
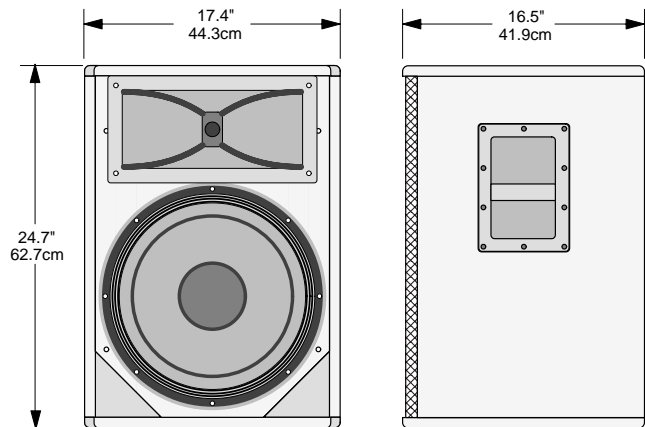
Options

Overhead suspension spreader plate

Warranty

Three years from date of original purchase

Contents subject to change without notice. Dimensions provided for general reference only.



macpherson

www.macpherson-inc.com