

AXIA

Road Version



The MacPherson AXIA is a compact, high-fidelity loudspeaker designed to reproduce music and speech with a clear, natural sound. A 3-way bi-amp system, the AXIA Road Version is optimized for frequent set up and take down applications. Its 3-way design can be used as a stand-alone loudspeaker or coupled together to form a powerful broadband vertical line array. This technique of combining cabinets has been proven to provide a nearly seamless wave front. The resultant wave front is void of the negative interaction found in traditionally arrayed systems. The AXIA drivers are aligned within the cabinet to couple precisely with adjacent cabinets. This close coupling has made it possible to use front-loaded components and still project high sound pressure levels at a considerable distance. The result is that fewer AXIA cabinets can be used to provide coverage equaling a much larger and heavier system.

A common trait shared throughout the MacPherson product line is the natural reproduction of the vocal range. The use of front-loaded, direct-radiating cone drivers eliminates the harshness and "honk" associated with horn-loaded mid-range devices. The addition of a slot-CD horn flare in the high-frequency section produces a wide sound field with breathtaking fidelity.

Driver Complement

The AXIA cabinet houses one 1000 watt direct-radiating 15-inch LF driver, two 8-inch twin-coil direct-radiating cone MF drivers, and a 2-inch HF compression driver mounted on a 90 x 55-degree slot-CD horn. The hardwood plywood cabinet is constructed using the finest hardware and construction techniques available. The compact footprint and heavily braced internal construction combine to make the AXIA enclosure extremely rigid. This provides the benefit of reducing back-radiating sound to nearly inaudible levels. Its rugged textured black epoxy finish, powder-coated steel grill, and built-in handles make the AXIA a durable, easy-to-transport loudspeaker.

ExoSpine Rigging System

An important feature of the AXIA Road Version is the ExoSpine rigging system. ExoSpine is a factory-installed system designed to meet a few simple criteria. First and foremost, because it's compact and easy to use, set up and tear down can be completed in a fraction of the time spent on other systems. The ExoSpine system is also versatile, allowing it to be used for flying or deck stacking. Its load-rated components provide a strong, secure, and elegant solution when flying or deck stacking an AXIA system.

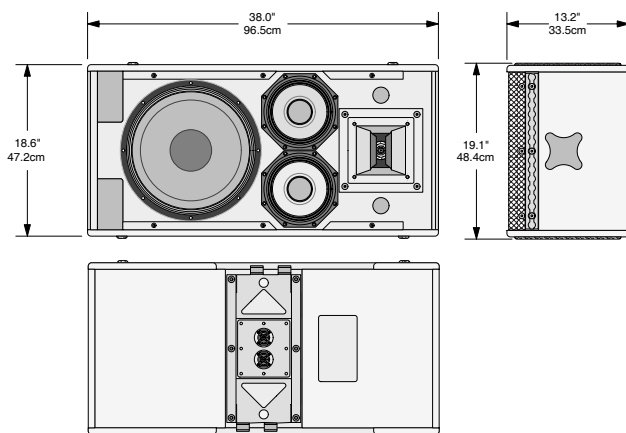


At the heart of the ExoSpine system is a rear-mounted steel track and hinge assembly. When coupling two AXIA cabinets, the hinge plates slide into position and a pin is inserted. A locking ring and cable keep the pin securely in place. During transport the hinge plates retract to a storage position. The weight of an AXIA array is supported by this steel-to-steel hinge point and will allow the flying of up to 12 AXIA cabinets in a vertical line array.

Road Version

Angle adjustment between AXIA cabinets is achieved through the use of ExoLink interconnection fittings. Adjustable in 3-degree increments, the ExoLinks are attached to the fly track mounted on the sides of the AXIA cabinet. Cabinets can be individually angled to a maximum of 15 degrees. This flexibility allows for complex array shapes that cover a wide variety of live situations.

The entire AXIA array is connected to a proprietary AXIA foot / flybar via the ExoSpine hinge plate. This compact steel grid may be used as a bumper bar or as a stabilizing base. Optional legs are available to permit the safe stacking of up to five AXIA cabinets when it is not possible to fly the system.



- Features**
- High-fidelity detailed concert sound
 - Smooth, natural mid-range
 - Impressive broadband frequency response
 - Can be used individually, in a multiple line array, or deck stacked
 - Truck-pack dimensions
 - Fast set up / tear down time
 - Ideal for live concert and high-level corporate applications

AXIA Road Version Specifications

Standard Configuration
AXIA-E-BI: Bi-amp

Frequency Response
±3dB, 50Hz to 17kHz

Coverage (between -6dB points)
Horizontal: 90 degrees
Vertical: 55 degrees

Nominal Impedance
LF: 8 ohms
MF/HF: 4 ohms

Sensitivity
LF: 96dB
MF: 100dB
HF: 106dB

Recommended Amplifier Power
LF: 1000 watts
MF/HF: 400 to 600 watts
RMS into 8 ohms

Recommended Crossover Point
LF: 170Hz low-pass, 24dB per octave
MF/HF: 275Hz high-pass, 24dB per octave

Connectors
Two, Neutrik NL4

Enclosure
Hardwood plywood, textured black epoxy finish, powder-coated perforated steel grill with open-cell foam backing

Dimensions
18.6 inches high (47.2cm)
38.0 inches wide (96.5cm)
13.2 inches deep (33.5cm)

Weight
141.0 pounds (64.1kg)

Accessories
ExoLink interconnection fittings for 0, 6, and 12 degree angles
ExoLink interconnection fittings for 3, 9, and 15 degree angles
Fly grid / deck stack kit
Dollyboard and cover for two AXIA

Warranty
Three years from date of original purchase

Contents subject to change without notice. Dimensions provided for general reference only.